


Part number

CSEF 06



female insert, CSE series, spring terminal connection, 6 poles + PE, 16 A 500 V 6 kV 3, size "44.27"

Product description		Material properties	
Product type	Insert	Main material	polycarbonate
Series	CSE	Colour	RAL 7032 grey
Connection type	spring terminal connection	RoHs conformity	Compliant with exemption 6(c): copper alloy containing up to 4% lead by weight
Gender	female	China RoHs - EFUP	50
N. of poles	6 poles + 	REACH SVHC substances	Yes Lead
Size	size "44.27"	Approvals / Standards	
Technical data		Reference standard	EN 61984:2009-06
Current	16 A	General ordering information	
Voltage	500 V	EAN13 code	8015747094399
Rated impulse withstand voltage	6 kV	ETIM 7.0	EC000438
Pollution degree	3	Packaging Information	
Rated voltage according to UL/CSA	600 V	Packaging length	270,00 mm
Wire cross-section	0,14 mm ² - 2,50 mm ²	Packaging height	75,00 mm
AWG size	26 - 14	Packaging width	180,00 mm
Contact type	turned silver plated	Packaging weight	3,38 kg
IP degree of protection	IP20 without enclosure, IP65/IP66/IP68/IP69 with enclosure	Packaging volume	3,65 dm ³
Further technical details		Packaging description	Carton box
Characteristics according to EN 61984	16A 500V 6kV 3; 16A 400/690V 6kV 2	Packaging quantity	60 Pcs
Mating cycles	≥ 500	Packaging EAN code	8015747094405
Insulation resistance	≥ 10 GΩ	Sub-packaging length	104,00 mm
Weight	49,00 g	Sub-packaging height	36,00 mm
Operating temperature range (min, max)	-40 °C ... +125 °C	Sub-packaging width	180,00 mm
Conductors stripping length	9...11 mm	Sub-packaging weight	0,56 kg
UL 94 flammability rating	V-0	Sub-packaging volume	0,67 dm ³
		Sub-packaging description	Carton tray
		Sub-packaging quantity	10 Pcs
		Sub-packaging EAN barcode	8015747094412

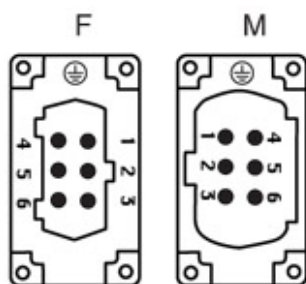
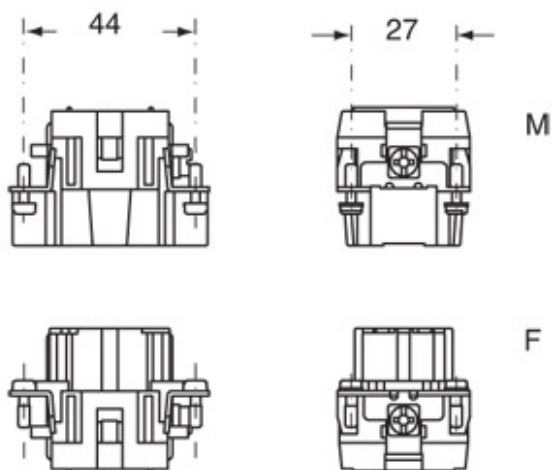
Part number

CSEF 06

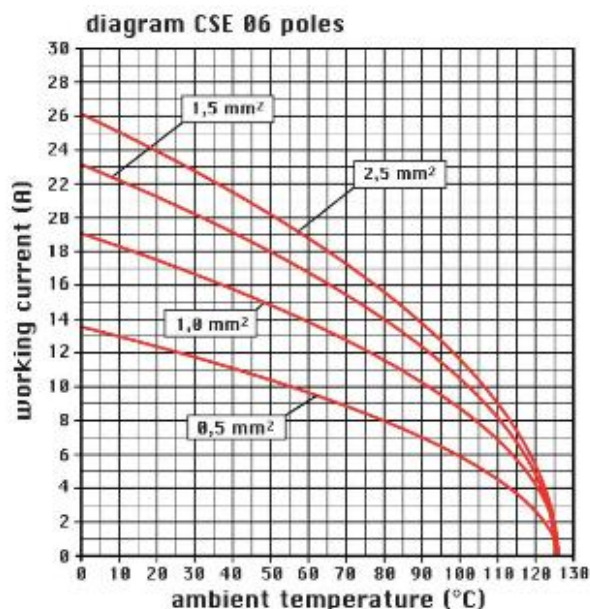


Catalogue drawings

CSEF / CSEM 06



Catalogue drawings



Notes

CSEF/M 06 inserts:

- characteristics according to EN 61984:

(16A 500V 6kV 3)

(16A 400/690V 6kV 2)

- rated voltage according to UL/CSA: 600V

- insulation resistance: > 10 GOhm

- ambient temperature limit: -40 °C ... +125 °C

- are made of self-extinguishing thermoplastic resin UL 94 V0

- mechanical life: > 500 cycles

- contact resistance: < 3 mOhm

- enclosures: size "44.27":

C-TYPE IP65/IP66

C7 IP67 stainless steel lever

V-TYPE IP65/IP66

stainless steel lever

T-TYPE IP65 insulating

JEI zinc-plated steel lever

BIG hoods
W-YPE aggressive environments
EMC
central lever
IP68
- panel supports:
COB
